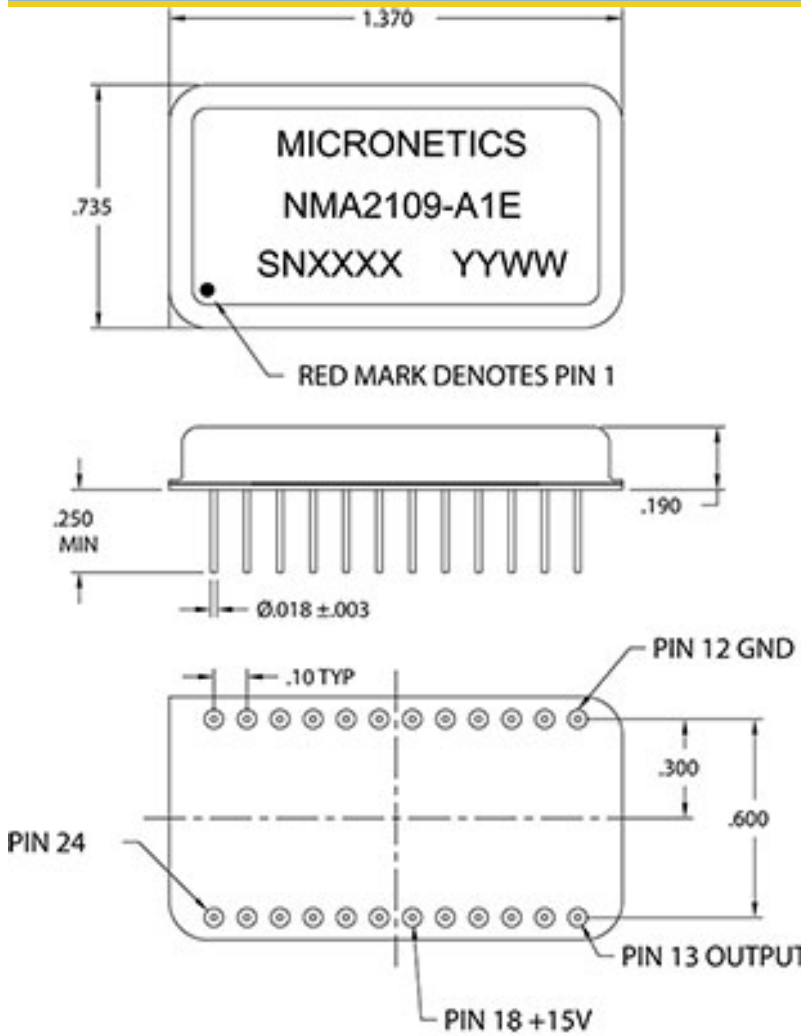


Legacy
NMA2109-A1E
 1 kHz to 500 MHz



Specifications

RF Frequency	1 kHz to 500 MHz
Noise Output	99.6 dB ENR
Noise Spectral Density (N_o)	-84.4 dBm/Hz Min
Flatness	4 dB P-P Max
Peak Factor	5:1
Bias Voltage	15 V
Impedance	50 ohms

Package and Connectivity

Construction	DIP 24 PIN
--------------	------------

Environmental

Operating Temperature	-55 to 95 °C
Storage Temperature	-65 to 125 °C

Notes

Specifications subject to change without notice
 Micronetics, Inc. | Hudson, NH | Tel: 1-603-883-2900 | www.Micronetics.com



